

Product Specification Sheet

At Döllken Lighting, we take pride in being a manufacturer of high-quality LED lighting solutions designed for advanced applications and projects. The products in our „Optimum“ line offer alternatives that combine efficiency and exceptional performance, making them ideal for a wide range of uses. These solutions uphold the high standards of Döllken Lighting, serving as an excellent choice for those seeking quality and versatility in a single product.

Let's design our future together.

Döllken
Lighting

Doellken Black Neon Max



dimensions

measures	10x4 mm
step length	50 mm
pitch	invisible

light

Colour CCT	6000K
luminous flux	109 lm/m
CRI	> 90
life time	50.000 h, LM70
binning	3 SDCM

electrical

voltage	24V DC
power	10 W/m
LEDs per meter	480
ESD protection	ESD2000V
inverse polarity connection	Max 30V
Tc°	Max 65°C
dimnable	yes

mechanical

dimensions of step	50x10x4 mm
suitable mounting method	PC Clip
degree of protection	IP65
mechanical impact protection	IK00
bending radius vertical	50 mm
bending radius horizontal	no
aluminium profil dimensions	no
aluminium profil colour	no

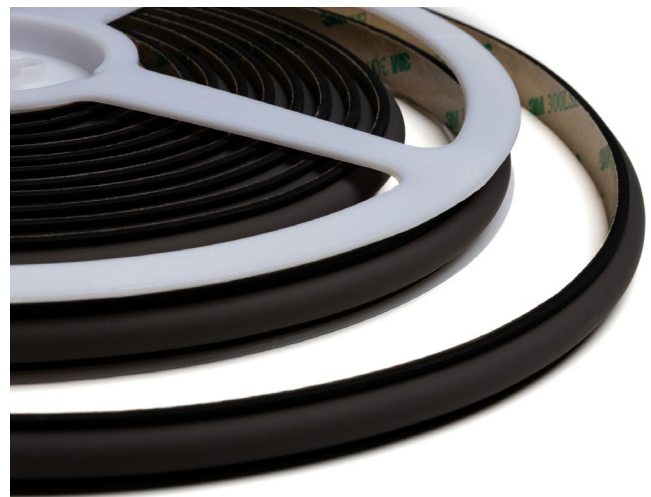
encapsulation

combustibility class	UL-94-HB
dielectric strength	500V
halogen free	yes
chlorine free	yes

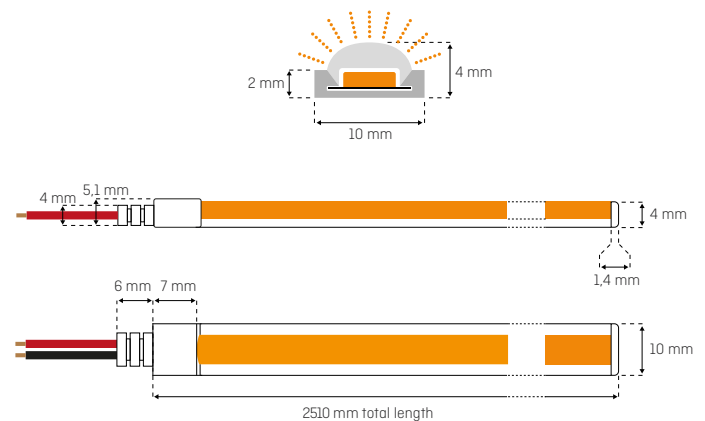
environmental /compliances

ambient temperature	-20°C ~ +40°C
compliances	CE, RoHS
warranty	3 years

preview



technical drawings



EAN/Reel 4036793155173

Movex 5128263

Döllken Profiles GmbH

Döllken Lighting

Industriestraße 1

59199 Bönen | Germany

Tel.: +49 (0) 36 43 / 41 70-540

E-Mail: info@doellken-lighting.com

www.doellken-lighting.com