

# Product Specification Sheet

At Döllken Lighting, we take pride in being a manufacturer of high-quality LED lighting solutions designed for advanced applications and projects. The products in our „Optimum“ line offer alternatives that combine efficiency and exceptional performance, making them ideal for a wide range of uses. These solutions uphold the high standards of Döllken Lighting, serving as an excellent choice for those seeking quality and versatility in a single product.

Let's design our future together.

**Döllken**  
Lighting

# Doellken Black Neon Max



## dimensions

measures	10x4 mm
step length	50 mm
pitch	invisible

## light

colour CCT	4000K
luminous flux	116 lm/m
CRI	> 90
life time	50.000 h, LM70
binning	3 SDCM

## electrical

voltage	24V DC
power	10 W/m
LEDs per meter	480
ESD protection	ESD 2000V
inverse polarity connection	Max 30V
Tc°	Max 65°C
dimnable	yes

## mechanical

dimensions of step	50x10x4 mm
suitable mounting method	PC Clip
degree of protection	IP65
mechanical impact protection	IK00
bending radius vertical	50 mm
bending radius horizontal	no
aluminium profil dimensions	no
aluminium profil colour	no

## encapsulation

combustibility class	UL-94-HB
dielectric strength	500V
halogen free	yes
chlorine free	yes

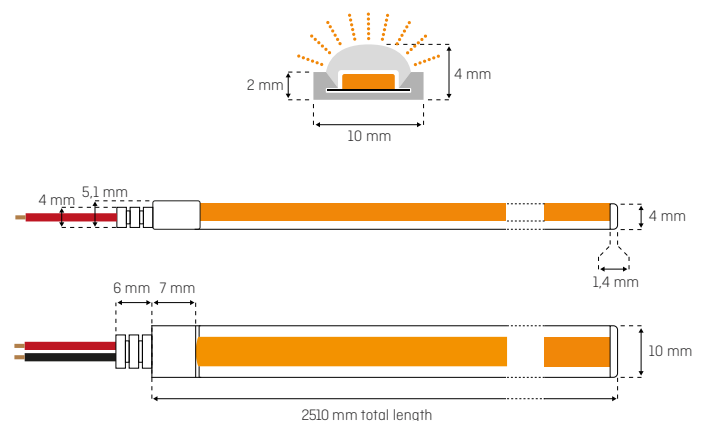
## environmental /compliances

ambient temperature	-20°C ~ +40°C
compliances	CE, RoHS
warranty	3 years

## preview



## technical drawings



EAN/Reel 4036793155159

Movex 5128262

**Döllken Profiles GmbH**

**Döllken Lighting**

Industriestraße 1

59199 Bönen | Germany

Tel.: +49 [0] 36 43 / 41 70-540

E-Mail: [info@doellken-lighting.com](mailto:info@doellken-lighting.com)

[www.doellken-lighting.com](http://www.doellken-lighting.com)